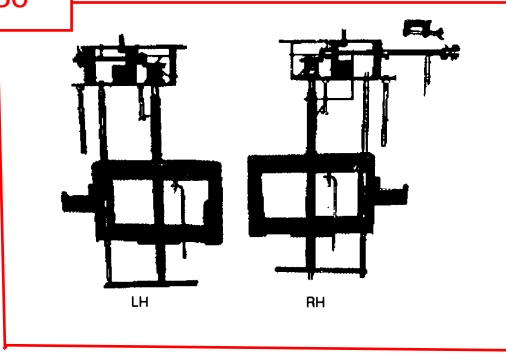


104 Medium Voltage Circuit Breaker/Switchgear Parts

M26/M36



M26H/M36H

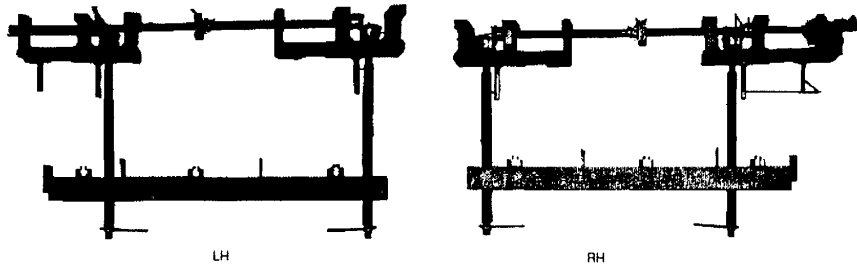
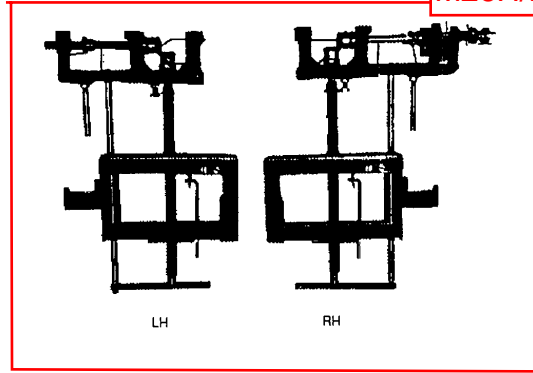


Figure 7A, Vertical Lift Metal-Clad Elevating Mechanisms

Discrepancies found in the field have rendered this chart obsolete.

Table 7A, Metal-Clad Elevating Mechanisms
 –See Figure 7A above

Equipment Design	Breaker Rating	Fig. Number	Left Hand	Right Hand
M26	4.16–250–1200	1	0834C0194G009	0834C0194G008
M26	4.16–250–2000	1	0834C0194G009	0834C0194G008
M26H	4.16–350–1200	1	0832C0481G002	0832C0481G001
M26H	4.16–350–2000	1	0832C0481 G002	0832C0481 G001
M26H	4.16–350–3000	2	0685C0957G005	0685C0957G004
M36	7.2–500–1200	1	0834C0194G010	0834C0194G007
M36	7.2–500–2000	2	0829C0485G009	0829C0485G008
M36	13.8–500–1200	1	0834C0194G010	0834C0194G007
M36	13.8–500–2000	2	0829C0485G009	0829C0485G008
M36HN	13.8–750–1200	1	0834C0194G010	0834C0194G007
M36HN	13.8–750–2000	2	0829C0485G009	0829C0485G008
M36H	13.8–750–1200	2	0265C0267G005	0265C0267G004
M36H	13.8–750–2000	2	0265C0267G005	0265C0267G004
M36HH	13.8–1000–1200	3	0828C0486G004	0828C0486G003
M36HH	13.8–1000–2000	3	0828C0486G004	0828C0486G003
M36HH	13.8–100–3000	3	0828C0486G002	0828C0486G001