

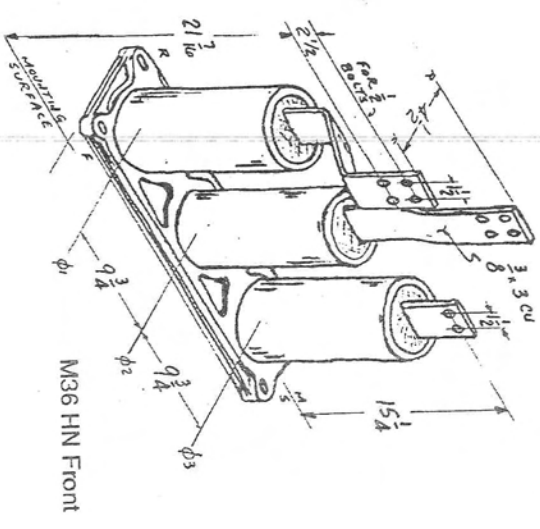
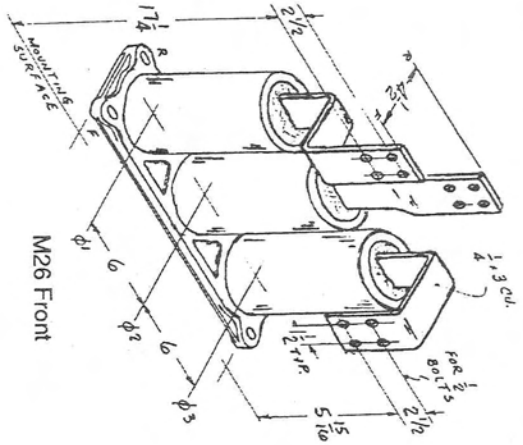
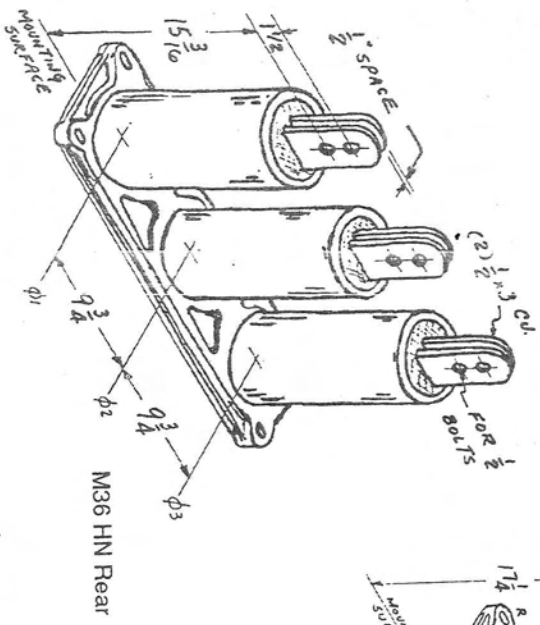


METAL-CLAD SWITCHGEAR FRONT & REAR PRIMARY DISCONNECTS

DE FULLEN BROTHERS, PENN
PHILADELPHIA, PENN
JAN 1958

Primary disconnects are available for:

- M26
- M26H
- M36
- M36H
- M36HN
- M36HH



FRONT AND REAR PRIMARY DISCONNECTS ARE MANUFACTURED BY GE.
DUE TO THE UNIQUENESS OF SWITCHGEAR CUBICLES, IT IS NOT POSSIBLE TO PUBLISH A STANDARD LIST. PLEASE FURNISH NAMEPLATE SUMMARY NUMBER AND UNIT NUMBER WITH YOUR REQUEST.